

KSI

KS-320
PN16/PN40

BELLOW SEALED GLOBE VALVE



DESIGN STANDARDS

- Body Design Conditions PN-16 / PN-40
- Face to Face Length: ISO 5752, EN 558 SERIES 1 (F1), DIN 3202
- Flanges: EN 1092-2, ISO 7005-5, DIN 2501
- Cast Steel GS-C25+13Cr Body and Bonnet
- Stainless steel stem
- AISI 304 Stainless Steel Bellow (Other bellow types optional)
- Outer surface of Valve is liquid epoxy painted
- Metal to metal application
- Oblique body structure
- Can be installed in horizontal or vertical position

REMARKS & APPLICATION

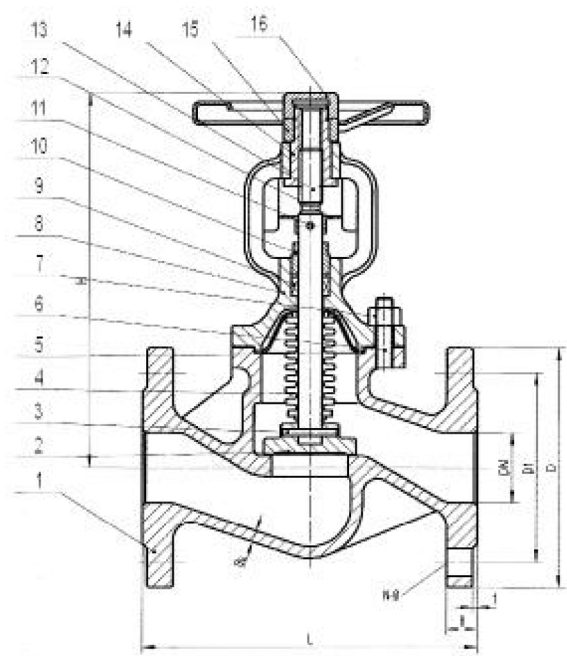
Bellow Seal Globe valve is excellent choice for high temperature steam installation and Hot oil.

Steam, cold water, hot water and hot oil, LPG, chemical fluids, compressed air etc.

350°C for Water, Oil Gas

200°C for Corrosive Media

TECHNICAL DRAWING (DN15-150)



PARTS AND MATERIALS

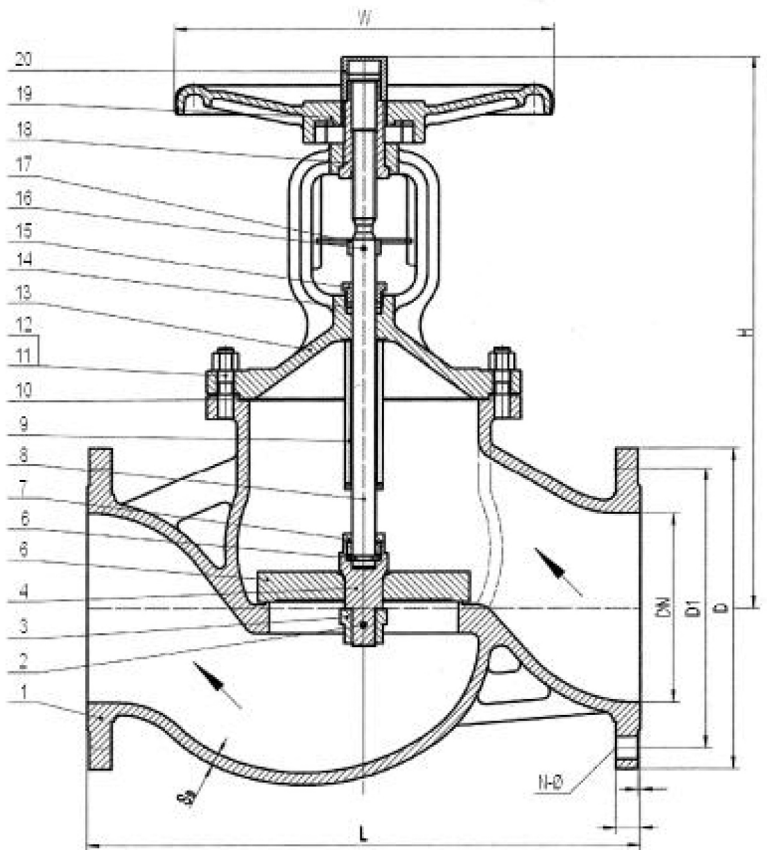
No.	Part Name	Material
1	Body	GS-C25 (1.0619)
2	Disc	C22.8 + 13Cr
3	Pin	SS304
4	Bellows	SS304
5	Gasket	SS304 + Graphite
6	Bolt	ASTM AT 193 B7
7	Num	ASTM AT 194 2H
8	Cover	GS-C25 (1.0619)
9	Packing	Graphite
10	Gland	X20Cr13
11	Pin	C22.8
12	Guide Piece	C22.8
13	Stem	X20Cr13
14	Yoke Nut	Cu Alloy
15	Handwheel	C22.8
16	Lock Nut	Al Alloy

DIMENSION TABLE

D	PN16									
	L	D1	D2	D3	N-Ø	H	B	f	W	SB
15	130	95	65	45	4x14	180	16	2	120	5
20	150	105	75	58	4x14	190	18	2	140	5
25	160	115	85	68	4x14	220	18	2	140	5
32	180	140	100	78	4x18	222	18	2	140	5
40	200	150	110	88	4x18	252	18	3	160	6
50	230	165	125	102	4x18	263	20	3	160	6
65	290	185	145	122	4x18	295	18	3	180	6,5
80	310	200	160	138	8x18	330	20	3	200	7
100	350	220	180	162	8x18	350	20	3	250	8
125	400	250	210	188	8x18	420	22	3	250	9
150	480	285	240	218	8x22	455	22	3	350	10

D	PN25-PN40									
	L	D1	D2	D3	N-Ø	H	B	f	W	SB
15	130	95	65	45	4x14	180	16	2	120	5
20	150	105	75	58	4x14	190	18	2	140	5
25	160	115	85	68	4x14	220	18	2	140	5
32	180	140	100	78	4x18	222	18	2	140	5
40	200	150	110	88	4x18	252	18	3	160	6
50	230	165	125	102	4x18	263	20	3	160	6
65	290	185	145	122	8x18	295	22	3	180	7
80	310	200	160	138	8x18	330	24	3	200	7,5
100	350	235	190	162	8x22	350	24	3	250	9
125	400	270	220	188	8x26	420	26	3	250	10
150	480	300	250	218	8x26	455	28	3	350	11

TECHNICAL DRAWING (DN200-400)



PARTS AND MATERIALS

No.	Part Name	Material
1	Body	GS-C25 (1.0619)
2	Pin	C22.8
3	Screw	GS-C25 (1.0619)
4	Guide Disc	C22.8 + 13Cr
5	Disc	C22.8 + 13Cr
6	Split Ring	C22.8
7	Disc Screw	C22.8
8	Stem	X20Cr13
9	Bellows	SS304
10	Seal Washer	ss304 + Graphite
11	Bolt	ATSM A193 B7
12	Nut	ATSM A194 2H
13	Cover	GS-C25 (1.0619)
14	Packing	Flexible Graphite/SS
15	Gland	GS-C25 (1.0619)
16	Guide Pin	C22.8
17	Guide Piece	C22.8
18	Lock Nut	Al Alloy
19	Impact Handwheel	C22.8
20	Yoke Nut	Cu Alloy

DIMENSION TABLE

D	PN16						
	L	D	D1	D2	B	f	N-Ø
200	600	340	295	268	24	3	12-Ø22
250	730	405	355	320	26	3	12-Ø26
300	850	460	410	378	28	4	12-Ø26
350	980	520	470	438	30	4	16-Ø26
400	1100	580	525	490	32	4	16-Ø30

D	PN25						
	L	D	D1	D2	B	f	N-Ø
200	600	360	310	278	30	3	12-Ø26
250	730	425	370	335	32	3	12-Ø30
300	850	485	430	395	34	4	16-Ø30
350	980	555	490	450	38	4	16-Ø33
400	1100	620	555	505	40	4	16-Ø36

D	PN40						
	L	D	D1	D2	B	f	N-Ø
200	600	375	320	285	34	3	12-Ø30
250	730	450	385	345	38	3	12-Ø33
300	850	515	450	410	42	4	16-Ø33
350	980	580	510	465	46	4	16-Ø36
400	1100	660	585	535	50	4	16-Ø39